

NAME: OUTSIDE CORNER PANEL LAYOUT

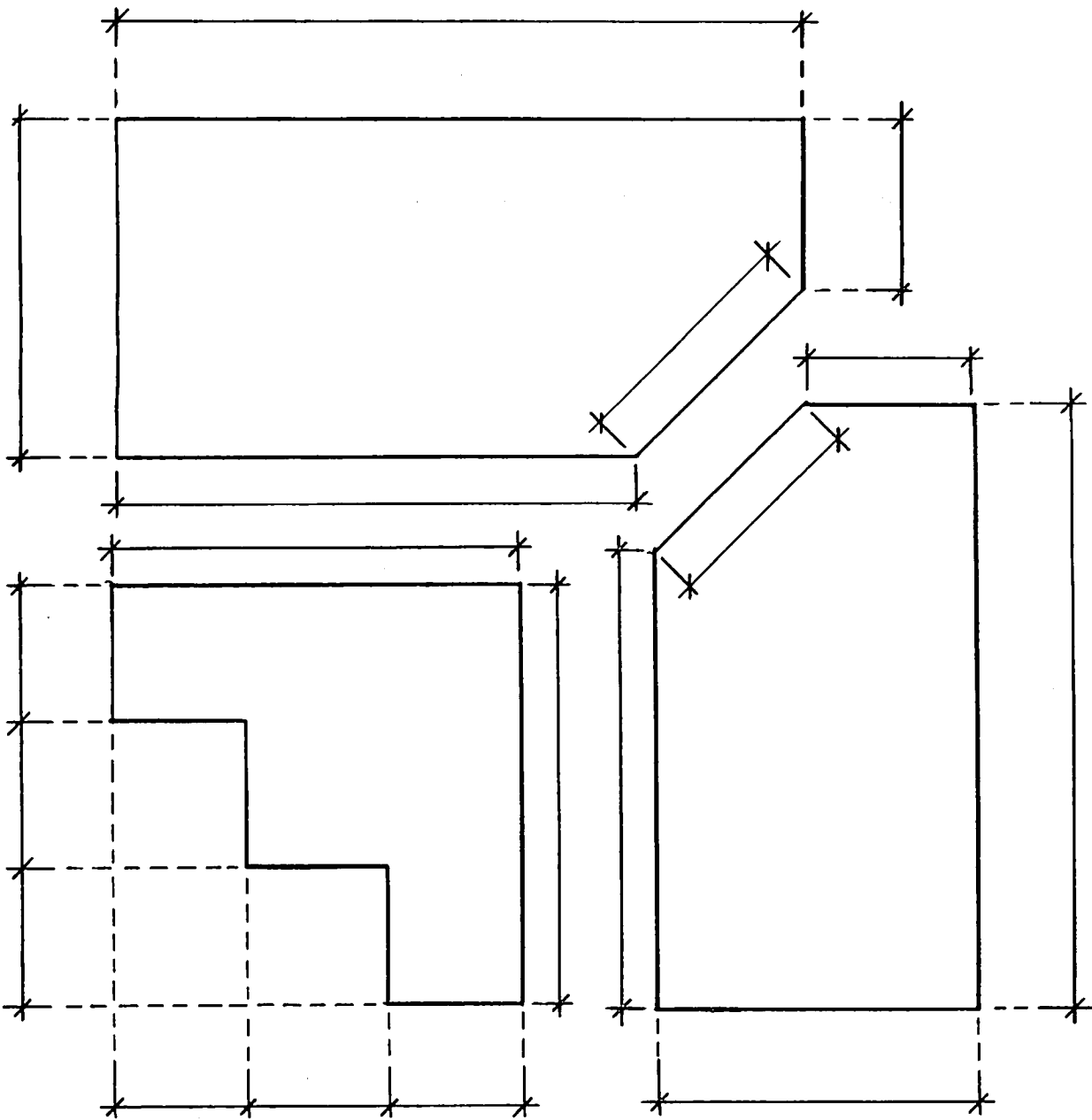
DATE:

PROJECT: CITY HALL RESTORATION - VETURA, CA - PHASE

PAGE OF

MATERIAL: 20 oz. COPPER

NOT TO SCALE



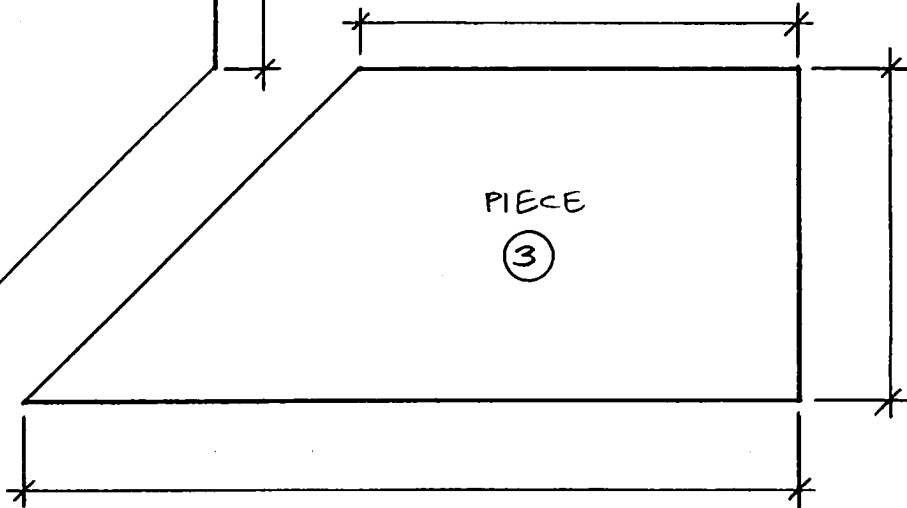
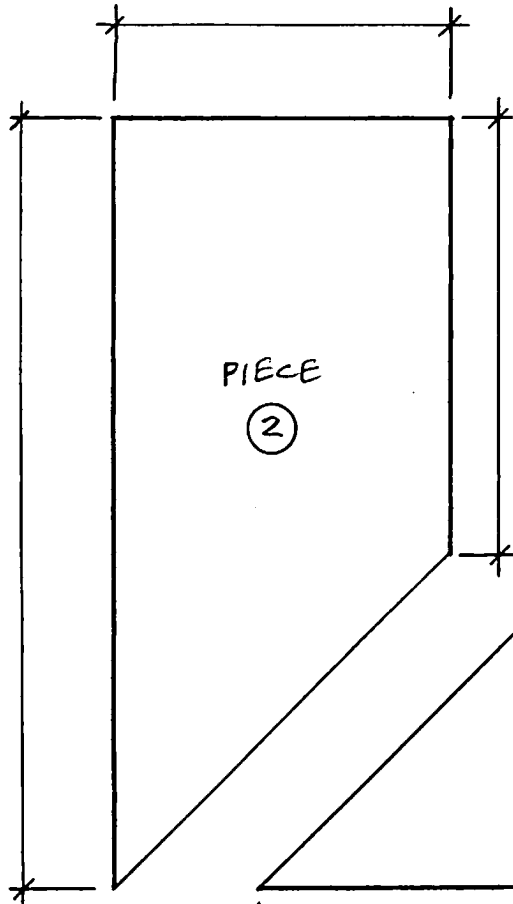
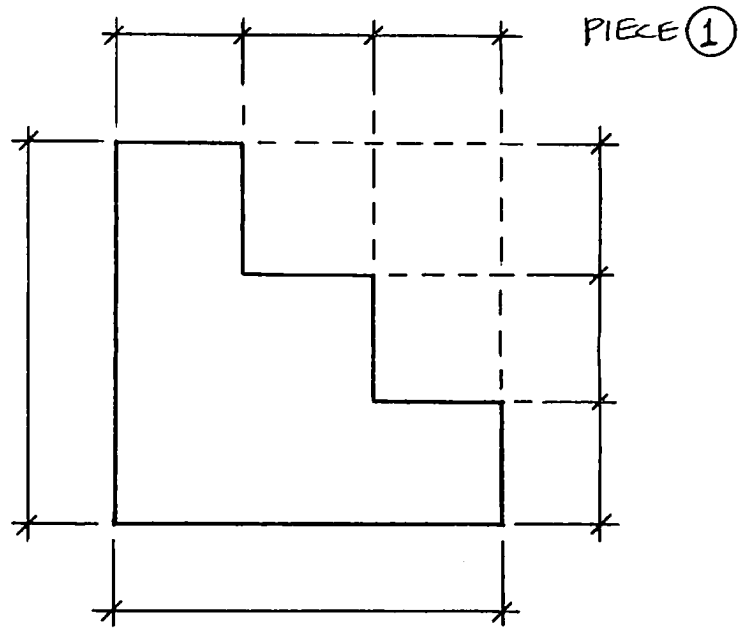
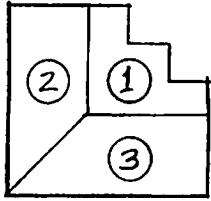
NAME: OUTSIDE CORNER PANEL LAYOUT

DATE:

PROJECT: CITY HALL RESTORATION - VENTURA, CA.

PAGE OF

MATERIAL: 20 OZ. COPPER NOT TO SCALE



NAME: INSIDE CORNER PANEL LAYOUT (BRIDGE)

DATE:

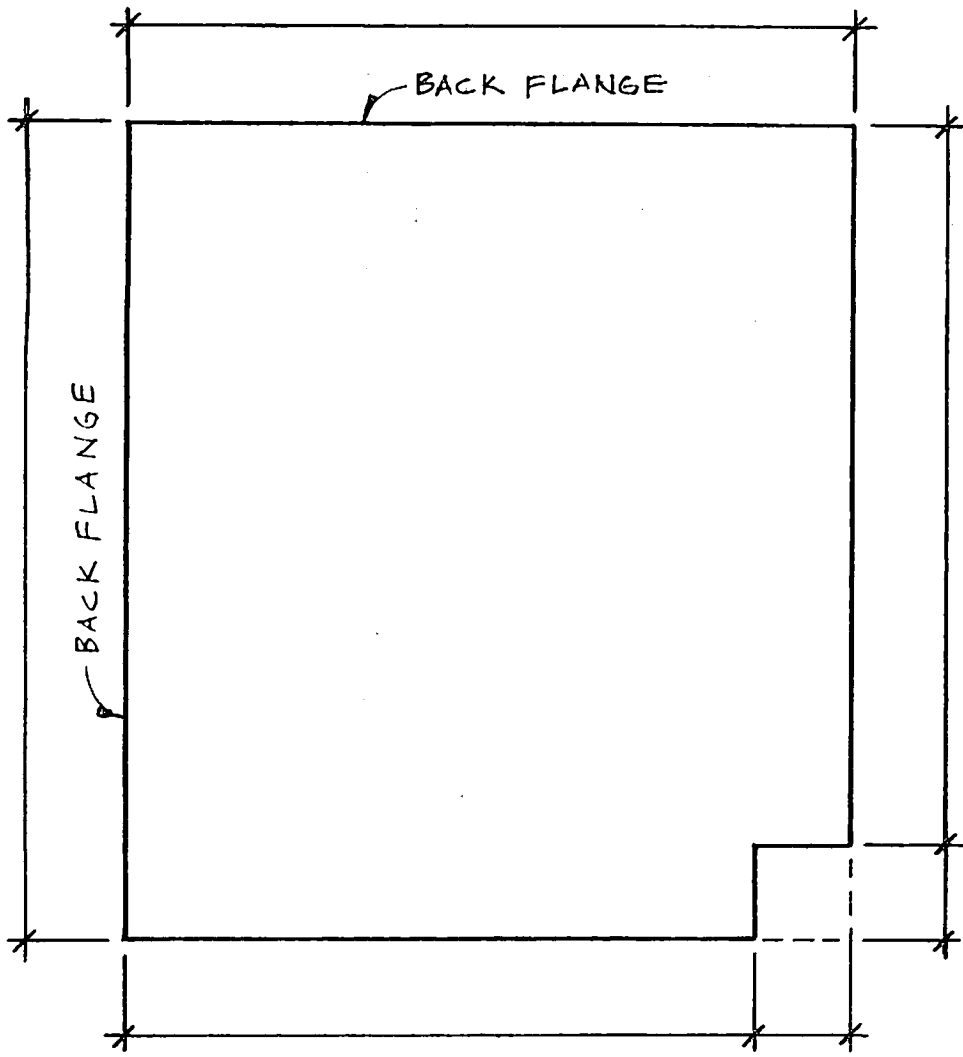
PROJECT: CITY HALL RESTORATION - VENTURA, CA. - PHASE II

PAGE OF

MATERIAL: 20 OZ. COPPER

NOT TO SCALE

PLAN
VIEW



NAME: INSIDE CORNER CORNICHE PANEL LAYOUT

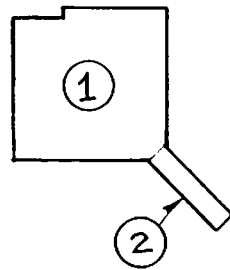
DATE:

PROJECT: CITY HALL RESTORATION - VENTURA, CA.

PAGE OF

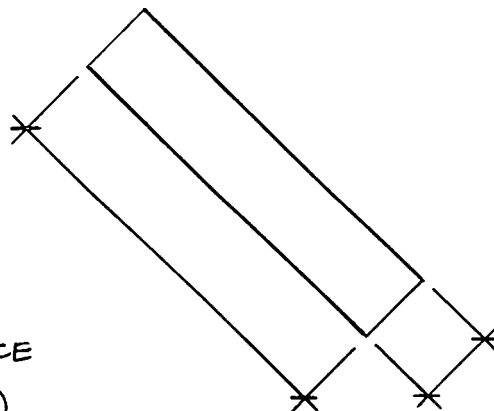
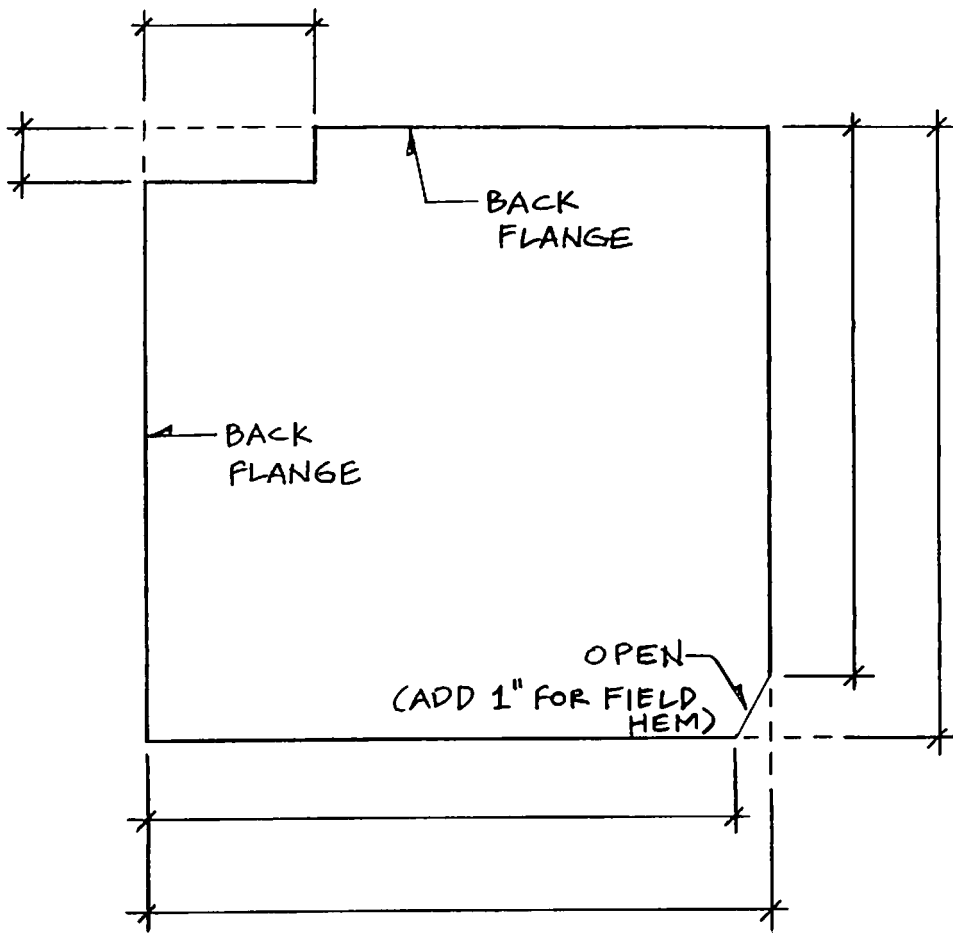
MATERIAL: 20 OZ. COPPER

NOT TO SCALE



PIECE

1



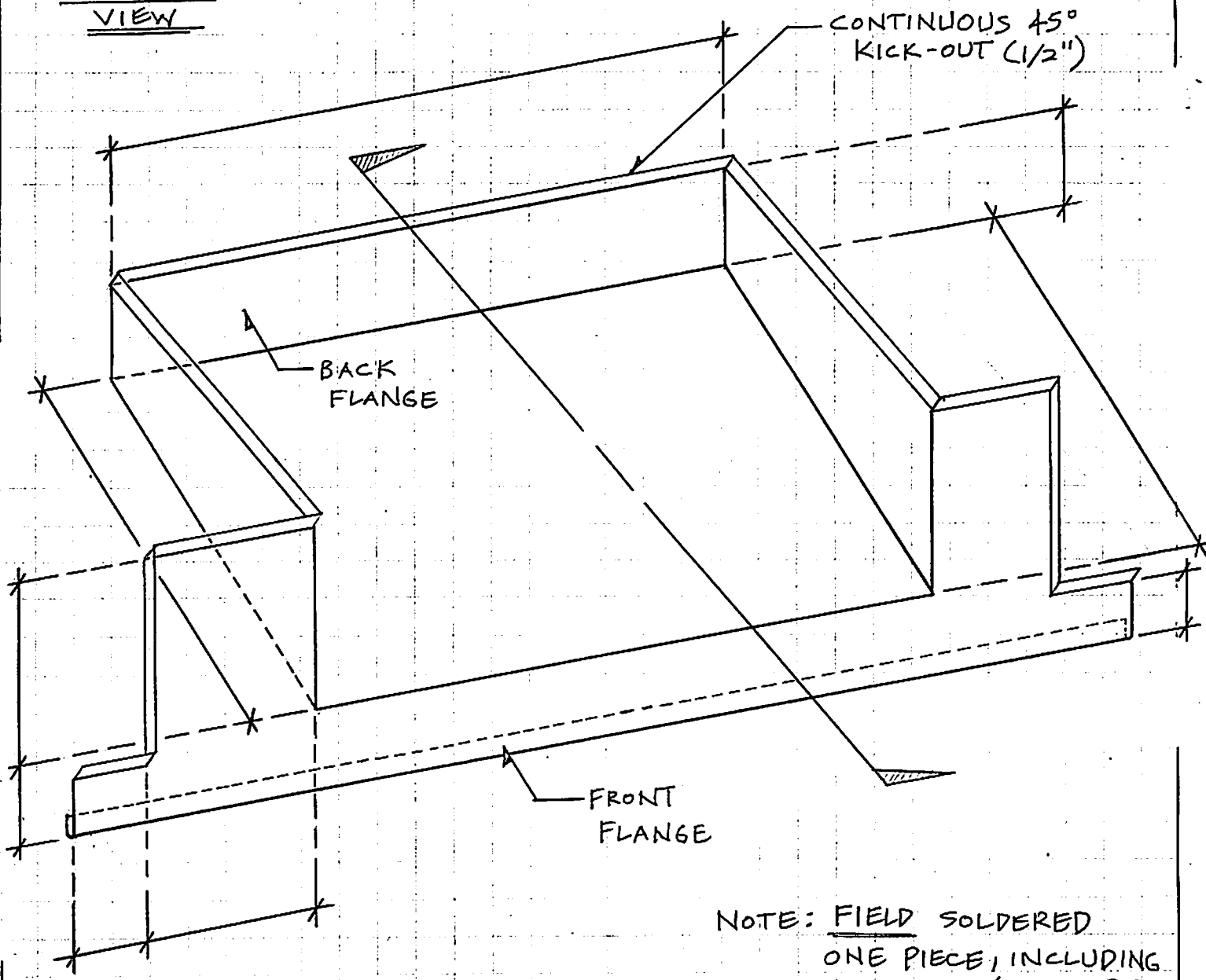
PIECE

2

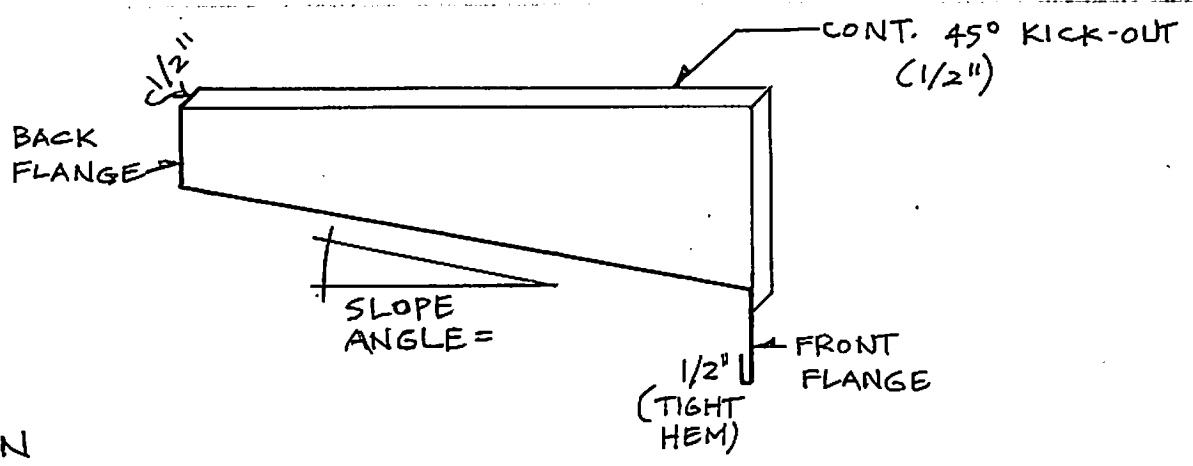
(OUTLET)

NAME: COPPER SADDLE AT 3RD FLOOR WINDOWS - WEST WING	DATE:
PROJECT: CITY HALL RESTORATION - VENTURA, CA.	PAGE OF
MATERIAL: 20 OZ. COPPER	NOT TO SCALE

ISOMETRIC
VIEW



NOTE: FIELD SOLDERED
ONE PIECE, INCLUDING
KICK-OUT / CORNERS
(LEAVE LOOSE)



SECTION

NAME: OUTSIDE CORNER CORNICE PANEL

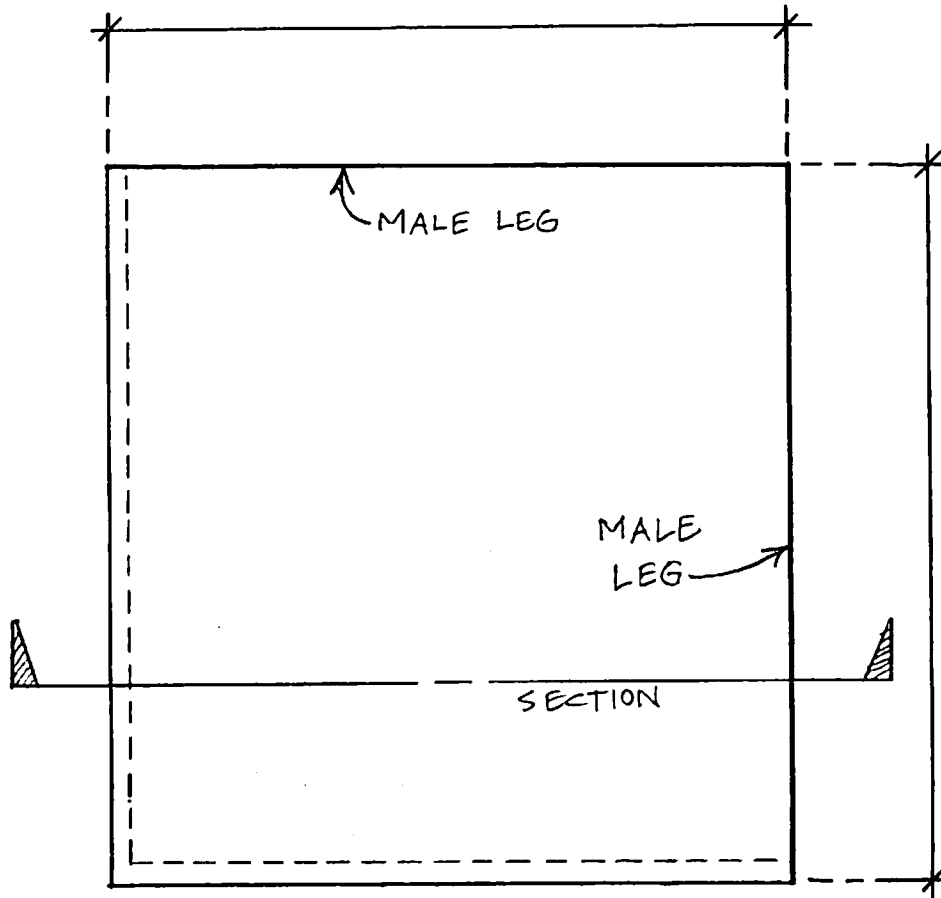
DATE:

PROJECT: CITY HALL RESTORATION - VENTURA, CA

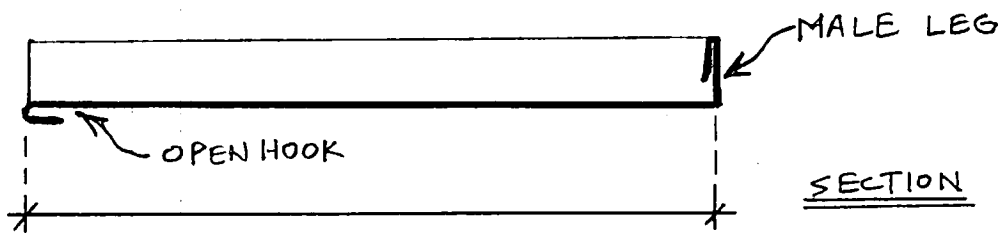
PAGE OF

MATERIAL: 20 OZ. COPPER

NOT TO SCALE



PLAN VIEW



SECTION