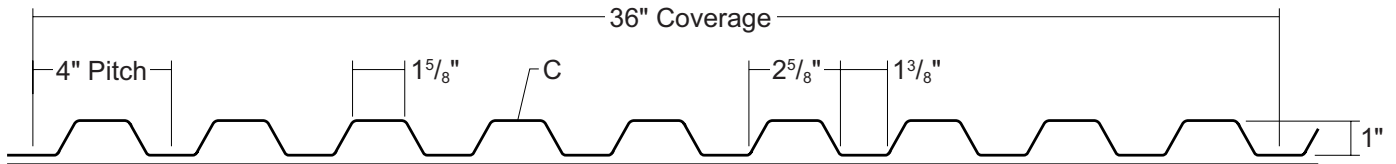


# T2 WALL PANEL

CONDENSED  
TECHNICAL  
REFERENCE



ARCHITECTURAL  
COMMERCIAL  
INDUSTRIAL  
PANEL

DIRECT  
FASTEN

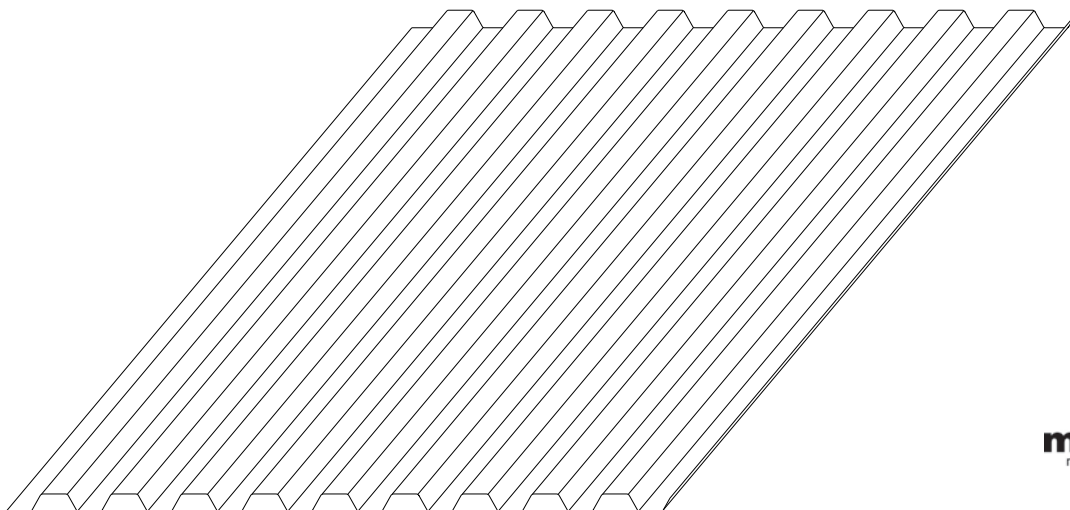
36"  
COVERAGE

WALL  
PANEL

OPEN FRAMING OR  
SOLID SUBSTRATE

## PANEL OVERVIEW

- ▶ Finishes: Kynar 500 (PVDF) standard, optional; multi-pass Kynar, Marblique, Plastisol, Polyester, and MS Colorfast45® (SMP)
- ▶ Gauges: 24ga, 22ga, 20ga, and 18ga
- ▶ 36" panel coverage, 1" rib height
- ▶ Trapezoidal ribs on 4" centers
- ▶ Exposed fastener panel
- ▶ Optional material availability: Stainless Steel, Copper, and Aluminum
- ▶ Designed for greater span requirements
- ▶ Custom capabilities include:
  - Crimp curving (convex only)
  - Perforated panels for wind screens and liner panels



metal sales  
manufacturing corporation  
**ms**