

EDGE-LOC PANEL

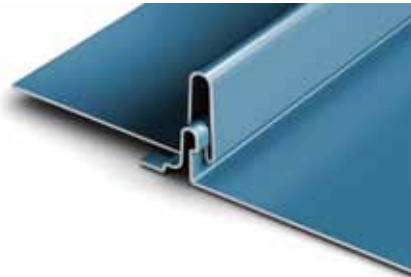
Our new Edge-Loc panel is the latest product addition to the PAC metal roofing line. Edge-Loc panels feature a 1 1/2" leg height and a continuous interlock for improved performance. These panels require no clips. Edge-Loc panels can be an economical panel solution that meets a variety of roofing design requirements.

TRIM

All flashing and trim will be fabricated by manufacturer or qualified fabricator. Flashing shall be PAC-CLAD aluminum (.032-.063 gauge as specified) or PAC-CLAD steel (24ga or 22ga. as specified). A 20-year, non-prorated finish warranty can be supplied covering finish performance.

INSTALLATION

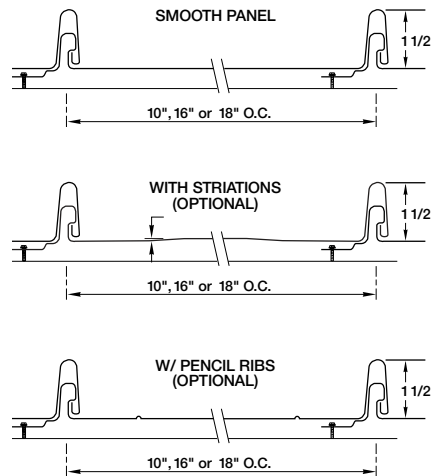
Edge-Loc can be used in a variety of applications to accommodate several building designs. Edge-Loc panels have an integral interlocking system by design, meaning the panels install in one direction. Edge-Loc has a continuous fastening edge that is easily installed using standard screws. Consult with a local architect/engineer for compliance with local codes and conditions. Edge-Loc requires no clips. Please contact Petersen for detail assistance on projects requiring longer panel lengths.



EDGE-LOC

SPECS: 10", 16" OR 18" O.C.
1-1/2" HIGH

MATERIALS: .032 ALUMINUM
.040 ALUMINUM
24 GAUGE STEEL
22 GAUGE STEEL



PRODUCT FEATURES

- Continuous Interlock
- Labor-saving one-piece design
- Striations and pencil ribs available
- Maximum panel length 25'-0" long
- No clips required

Material

- 37 stocked colors (24 gauge steel)
- 13 stocked colors (22 gauge steel)
- 36 stocked colors (.032 aluminum)
- 19 stocked colors (.040 aluminum)
- Smooth and stucco embossed available
- Galvalume Plus available