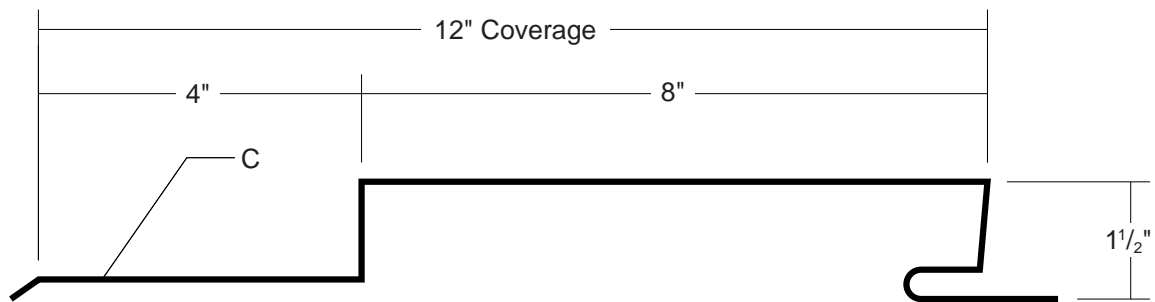


TL-17C PANEL

**CONDENSED
TECHNICAL
REFERENCE**

WALL PANEL



ARCHITECTURAL
COMMERCIAL
INDUSTRIAL
PANEL

CONCEALED
FASTENED

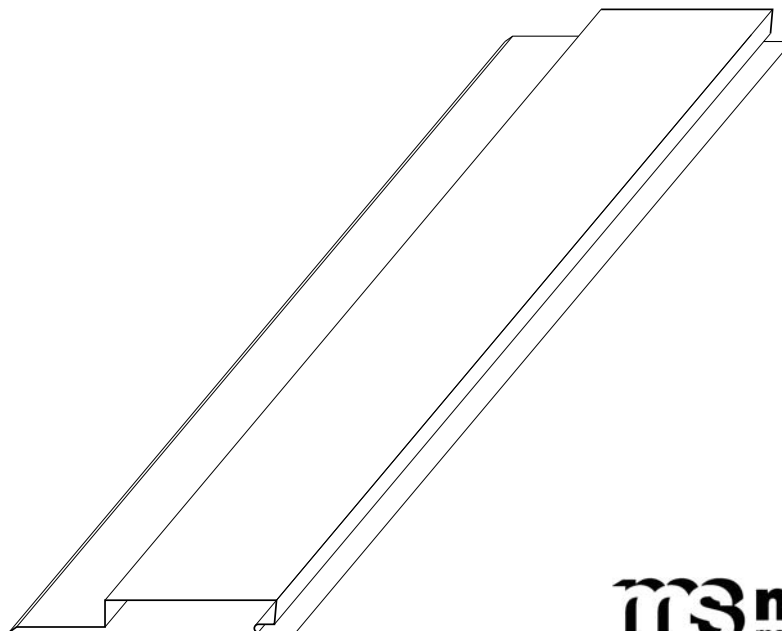
12"
COVERAGE

CUSTOM
CAPABILITIES

OPEN FRAMING OR
SOLID SUBSTRATE

PANEL OVERVIEW

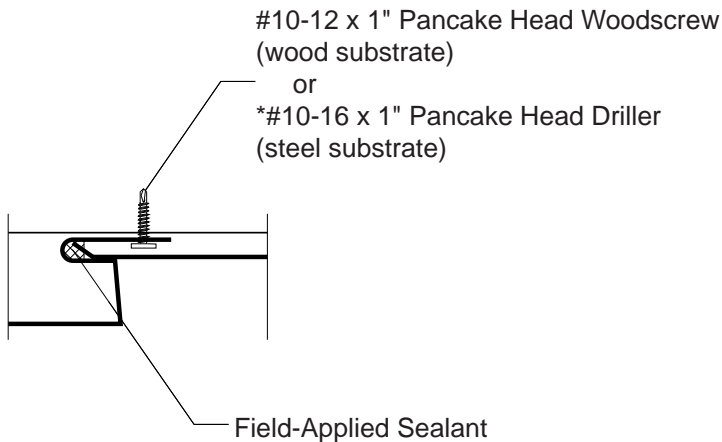
- ▶ Finishes: Kynar 500 (PVDF) standard, optional; multi-pass Kynar, Marblique, Plastisol, Polyester, and MS Colorfast45® (SMP)
- ▶ Gauges: 24g, 22ga, 20ga, and 18ga
- ▶ 12" panel coverage, 1 1/2" height
- ▶ Optional material availability: Stainless Steel, Copper, and Aluminum
- ▶ Use on single skin or field-assembled wall system applications
- ▶ Concealed fastened system
- ▶ Custom capabilities include:
 - Perforated panels for wind screens and liner panels



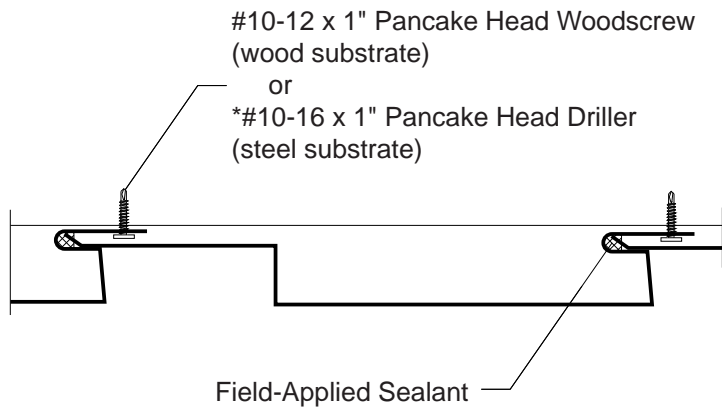
TL-17C PANEL

CONDENSED TECHNICAL REFERENCE

ATTACHMENT DETAIL



FASTENING PATTERN



*Pre-drilling into thicker steel may be required.

GENERAL INFORMATION

► Substructure

TL-17C panels are designed to be utilized over open structural framing, or a solid substrate.

► Coverage

TL-17C panels are available in a 1½" depth with a 12" width coverage.

► Length

Minimum factory cut length is 5'-0".
Maximum available panel length is 22'-0".

► Fasteners

The fastener selection guide should be consulted for choosing the proper fastener for specific applications. Quantity and type of fastener must meet necessary loading and code requirements.

NOTE: All panels are subject to surface distortion due to improperly applied fasteners. Overdriven fasteners will cause stress and induce oil canning across the face of the panel at or near the point of attachment.

► Availability

Finishes: Kynar 500 (PVDF) standard; optional: multi-pass Kynar, Marblique, Plastisol, Polyester, and MS Colorfast45® (SMP)

Gauges: 24ga, 22ga, 20ga, and 18ga

SECTION PROPERTIES

Ga.	Width (in.)	Yield KSI	Weight PSF	Top in Compression		Bottom in Compression	
				Ixx In ⁴ /ft	Sxx In ³ /ft	Ixx In ⁴ /ft	Sxx In ³ /ft
24	12"	50	1.33	0.0553	0.0555	0.0788	0.0675
22	12"	50	1.77	0.0819	0.0845	0.1101	0.0961
20	12"	33	2.09	0.1140	0.1237	0.1480	0.1347
18	12"	33	2.75	0.1700	0.1930	0.2080	0.1955

ALLOWABLE UNIFORM LOADS PSF (3 or More Equal Spans)

Ga.	Width (in.)	Yield KSI	Weight PSF	Ixx In ⁴ /ft	Sxx In ³ /ft	Ixx In ⁴ /ft	Sxx In ³ /ft	Inward Load				Outward Load							
								2'	3'	4'	5'	6'	8'	2'	3'	4'	5'	6'	8'
								24	12"	50	1.33	0.0553	0.0555	0.0788	0.0675	332	161	94	61
22	12"	50	1.77	0.0819	0.0845	0.1101	0.0961	461	226	133	87	61	35	421	203	118	77	54	30
20	12"	33	2.09	0.1140	0.1237	0.1480	0.1347	399	202	120	79	56	32	379	189	111	73	51	29
18	12"	33	2.75	0.1700	0.1930	0.2080	0.1955	549	284	171	113	80	46	546	281	169	112	79	45

- Theoretical section properties have been calculated per AISI 2001 "Specification for the Design of Cold-formed Steel Structural Members." Ixx and Sxx are effective section properties for deflection and bending.
- Allowable load is calculated in accordance with AISI 2001 specifications considering bending, shear, combined bending and shear, deflection. Allowable load considers the worst case of 3 and 4 equal span conditions. Allowable load does not address web crippling, fasteners/support connection, or panel disengagement. Panel weight is not considered.
- Deflection consideration is limited by a maximum deflection ratio of L/180 of span.
- Allowable loads do not include a 1/3 stress increase.

metal sales
manufacturing corporation



Kent, WA 800.431.3470
Temple, TX 800.543.4415
Longmont, CO 800.289.7663
Antioch, TN 800.251.8508
Woodland, CA 800.759.6019
Rogers, MN 800.3289316
Spokane, WA 800.572.6565

Jefferson, OH 800.321.5833
Rock Island, IL 800.747.1206
Sellersburg, IN 800.999.7777
Jacksonville, FL 800.394.4419
Orwigsburg, PA 800.544.2577
Independence, MO 800.747.0012
Fontana, CA 800.782.7953

Anchorage, AK 866.640.7663
Bay City, MI 888.777.7640
Detroit Lakes, MN 888.594.1394
Mocksville, NC 800.228.6119
Fort Smith, AR 877.452.3915

www.metalsales.us.com