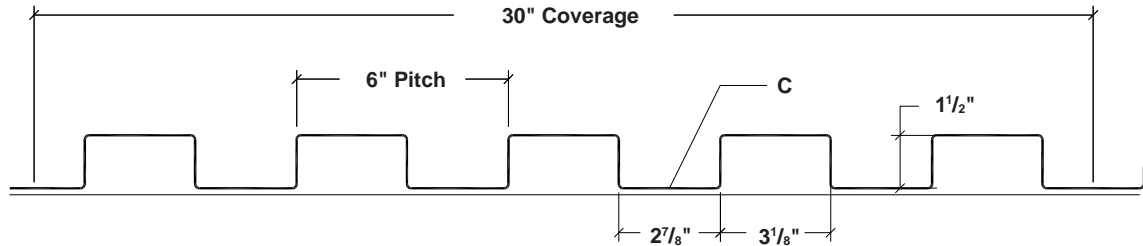


T-10B PANEL

WALL PANEL



ARCHITECTURAL
COMMERCIAL
INDUSTRIAL
PANEL

DIRECT FASTENED
(EXPOSED)

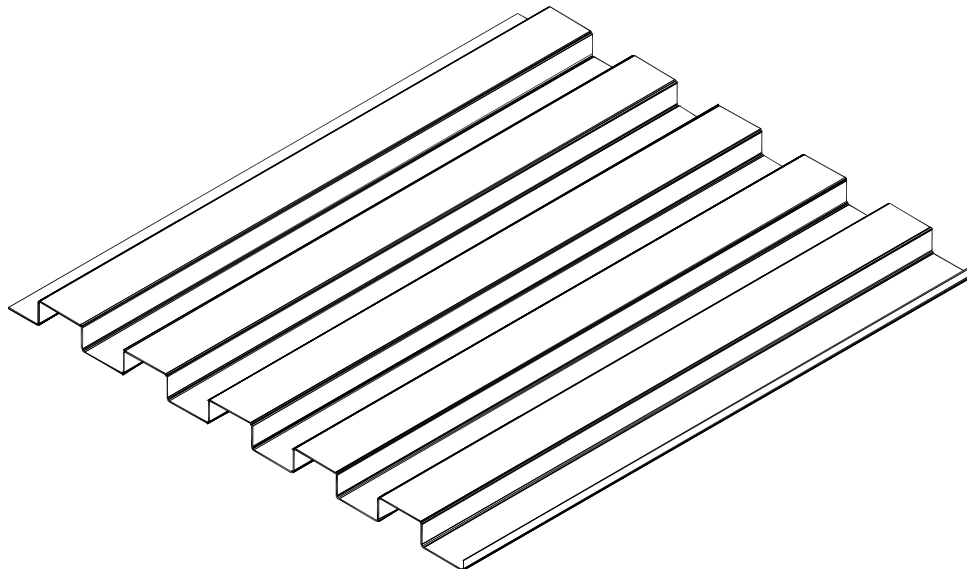
30"
COVERAGE

CUSTOM
CAPABILITIES

OPEN FRAMING OR
SOLID SUBSTRATE

PANEL OVERVIEW

- ▶ Finishes: Kynar 500 (PVDF) standard, optional; multi-pass Kynar, Marblique, Plastisol, Polyester, and MS Colorfast45® (SMP)
- ▶ Gauges: 24ga, 22ga, 20ga and 18ga
- ▶ 30" panel coverage, 1½" rib height
- ▶ Crisp 90° vertical box ribs on 6" centers
- ▶ Optional material availability: Stainless Steel, Weathering Steel, Copper, and Aluminum
- ▶ Custom capabilities include:
 - Crimp curving
 - Curving may be convex, concave, or "S" curves
 - Perforated panels for wind screens and liner panels

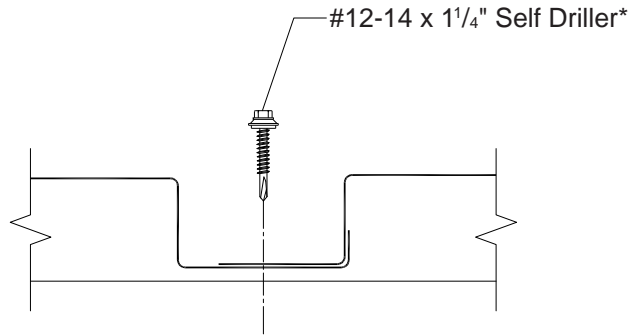


metal sales
manufacturing corporation

MS

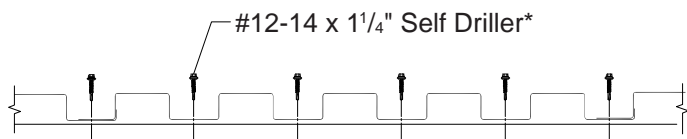
T-10B PANEL

ATTACHMENT DETAIL

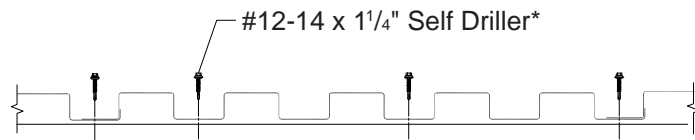


FASTENING PATTERNS

Fastening Pattern (Ends)



Fastening Pattern (Field)



*Note: #12-14 x 1" Self Driller is used for non-insulated applications.

GENERAL INFORMATION

► Substructure

T-10B Panel is designed to be utilized over open structural framing, or a solid substrate.

► Coverage

T-10B Panels are available in a 1 1/2" depth with a 30" width coverage.

► Length

Minimum factory cut length is 5'-0".
Maximum recommended panel length is 36'-0".

► Fasteners

The fastener selection guide should be consulted for choosing the proper fastener for specific applications. Quantity and type of fastener must meet necessary loading and code requirements.

NOTE: All panels are subject to surface distortion due to improperly applied fasteners. Overdriven fasteners will cause stress and induce oil canning across the face of the panel at or near the point of attachment.

► Availability

Finishes: Kynar 500 (PVDF) standard; optional: multi-pass Kynar, Marblique, Plastisol, Polyester, and MS Colorfast45® (SMP)

Gauges: 24ga, 22ga, 20ga, and 18ga

SECTION PROPERTIES

ALLOWABLE UNIFORM LIVE LOADS PSF (3 or More Equal Spans)

Ga.	Width (in.)	Yield KSI	Weight PSF	Top in Compression		Bottom in Compression		Inward Wind Pressure (Stress / Deflection) Load						Outward Wind Suction (Stress / Deflection) Load					
				Ixx In ⁴ /ft	Sxx In ³ /ft	Ixx In ⁴ /ft	Sxx In ³ /ft	5'	6'	7'	8'	10'	12'	5'	6'	7'	8'	10'	12'
24	30"	50	1.51	0.1128	0.1164	0.1148	0.1229	151	105	77	59	30	17	143	100	73	56	30	17
22	30"	50	1.96	0.1624	0.1743	0.1652	0.1842	226	157	116	84	43	25	214	149	110	84	43	25
20	30"	33	2.30	0.2160	0.2474	0.2200	0.2610	210	147	108	83	53	33	199	139	103	79	50	33
18	30"	33	2.99	0.3080	0.3708	0.3080	0.3856	308	216	159	122	79	47	297	208	153	118	76	47

- Theoretical section properties have been calculated per AISI 2001 "Specification for the Design of Cold-formed Steel Structural Members." Ixx and Sxx are effective section properties for deflection and bending.
- Allowable load is calculated in accordance with AISI 2001 specifications considering bending, shear, combined bending and shear, deflection. Allowable load considers the worst case of 3 and 4 equal span conditions. Allowable load does not address web crippling, fasteners/support connection, or panel disengagement. Panel weight is not considered.
- Deflection consideration is limited by a maximum deflection ratio of L/180 of span.
- Allowable loads do not include a 1/3 stress increase.

metal sales
manufacturing corporation



Kent, WA (800) 431-3470
Temple, TX (800) 543-4415
Longmont, CO (800) 289-7663
Antioch, TN (800) 251-8508
Woodland, CA (800) 759-6019
Rogers, MN (800) 328-9316
Spokane, WA (800) 572-6565

Jefferson, OH (800) 321-5833
Rock Island, IL (800) 747-1206
Sellersburg, IN (800) 999-7777
Jacksonville, FL (800) 394-4419
Orwigsburg, PA (800) 544-2577
Independence, MO (800) 747-0012
Fontana, CA (800) 782-7953

Anchorage, AK (866) 640-7663
Bay City, MI (888) 777-7640
Detroit Lakes, MN (888) 594-1394
Mocksville, NC (800) 228-6119