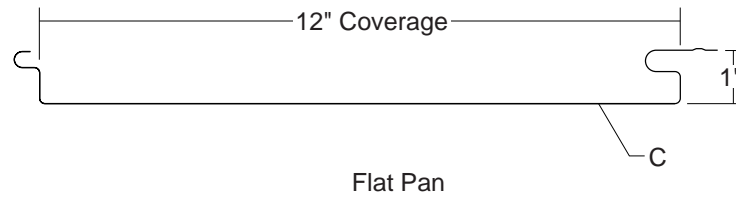
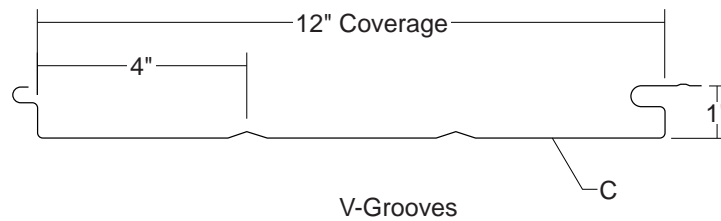


SOFFIT PANEL

**CONDENSED
TECHNICAL
REFERENCE**



Factory-Applied Sealant (Optional)



Factory-Applied Sealant (Optional)

ARCHITECTURAL
COMMERCIAL
INDUSTRIAL
PANEL

CONCEALED
FASTENERS

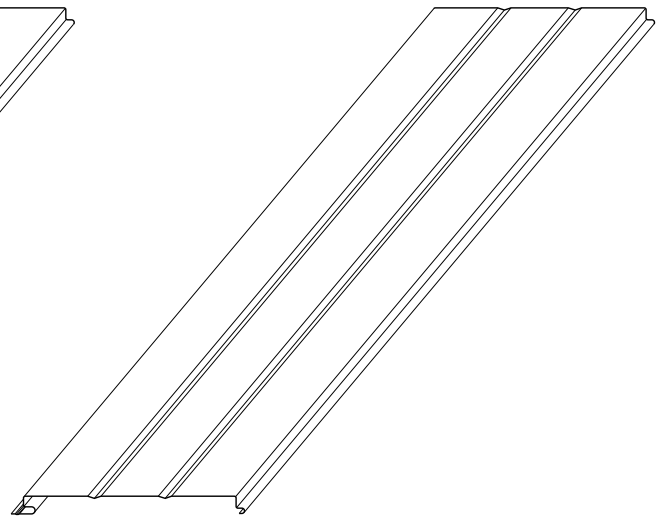
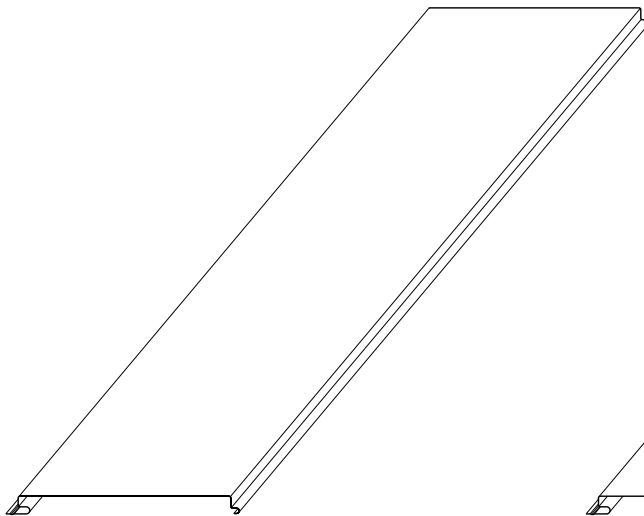
12"
COVERAGE

SOFFIT / FASCIA
WALL OR LINER
PANEL

OPEN FRAMING OR
SOLID SUBSTRATE

PANEL OVERVIEW

- ▶ Finishes: Kynar 500 (PVDF), MS Colorfast45[®], and Acrylic Coated Galvalume[®]
- ▶ Gauges: 26ga, 24ga, 22ga, and 0.032" Aluminum
- ▶ 12" panel coverage, 1" panel depth
- ▶ Concealed, direct-fastened system for wall, soffit, fascia, or liner applications
- ▶ Applies over open framing or solid substrate



TESTING

- ▶ ASTM E-283 Air Infiltration
- ▶ ASTM E-331 Water Resistance
- ▶ ASTM E-330 Structural Performance
- ▶ Florida Building Code Approval 9482.4

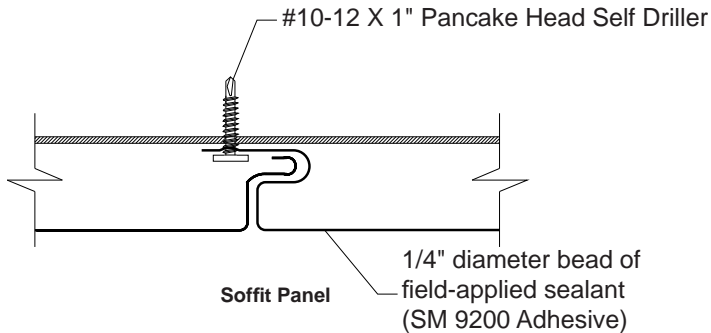
metal sales
manufacturing corporation



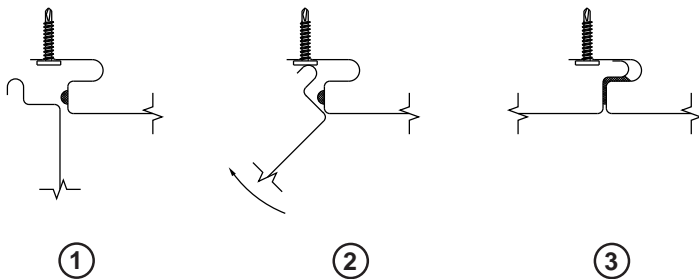
SOFFIT PANEL

CONDENSED TECHNICAL REFERENCE

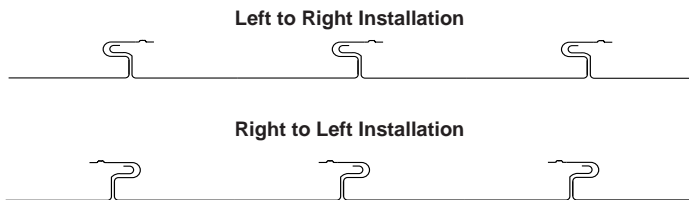
SIDE LAP FASTENING DETAIL



SIDE LAP INSTALLATION



DIRECTIONAL DETAILS



GENERAL INFORMATION

► Applications

Soffit panels may be applied horizontally or vertically. They are not recommended for roof applications. NOTE: Sidelap disengagement may occur under loading if adhesive is not applied.

► Substructure

Soffit panels are designed to be installed over open structural framing or a solid substrate.

► Coverage

Soffit panels are available in a 1" depth with a 12" coverage.

► Length

Minimum factory cut length is 5'-0" (with striations), or 7'-0" (without striations). Maximum recommended length for 24 ga. panels is 20'-0". Maximum recommended length for 26 ga. panels is 5'-0". Longer panels require additional consideration in packaging, shipping, and erection. Please consult Metal Sales for recommendations.

► Fasteners

The fastener selection guide should be consulted for choosing the proper fastener for specific applications. Quantity and type of fastener must meet necessary loading and code requirements.

NOTE: All panels are subject to surface distortion due to improperly applied fasteners. Overdriven fasteners will cause stress and induce oil canning across the face of the panel at or near the point of attachment.

► Availability

Finishes: Acrylic Coated Galvalume®, MS Colorfast45®, or various Kynar 500 (PVDF) colors.

Gauges: 26ga, 24ga, 22ga, and 0.032 aluminum (Aluminum is available solid or perforated - Linen White only)

SECTION PROPERTIES

Ga.	Width (in.)	Yield KSI	Weight PSF	Top in Compression		Bottom in Compression	
				Ixx In ⁴ /ft	Sxx In ³ /ft	Ixx In ⁴ /ft	Sxx In ³ /ft
24	12"	50	1.24	0.0194	0.0341	0.0423	0.0502
22	12"	50	1.63	0.0281	0.0518	0.0576	0.0685

ALLOWABLE UNIFORM LIVE LOADS PSF (3 or More Equal Spans)

Inward Load					Outward Load				
2'	2.5'	3'	3.5'	4'	2'	2.5'	3'	3.5'	4'
96	83	70	57	44	96	83	70	57	44
96	83	70	57	44	96	83	70	57	44

- Theoretical section properties have been calculated per AISI 2001 "Specification for the Design of Cold-formed Steel Structural Members." Ixx and Sxx are effective section properties for deflection and bending.
- Allowable load is calculated in accordance with AISI 2001 specifications considering bending, shear, combined bending and shear, deflection, and the results of the ASTM E 330 test with SM 9200 Adhesive field applied. Allowable load considers the worst case of 2 or more equal spans. Allowable load is based on values from the ASTM E 330 test. Panel weight is not considered.
- Deflection consideration is limited by a maximum deflection ratio of L/180 of span.
- Allowable loads do not include a 1/3 stress increase in uplift.

metal sales
manufacturing corporation



Kent, WA (800) 431-3470
Temple, TX (800) 543-4415
Longmont, CO (800) 289-7663
Antioch, TN (800) 251-8508
Woodland, CA (800) 759-6019
Rogers, MN (800) 328-9316
Spokane, WA (800) 572-6565

Jefferson, OH (800) 321-5833
Rock Island, IL (800) 747-1206
Sellersburg, IN (800) 999-7777
Jacksonville, FL (800) 394-4419
Orwigsburg, PA (800) 544-2577
Independence, MO (800) 747-0012
Fontana, CA (800) 782-7953

Anchorage, AK (866) 640-7663
Bay City, MI (888) 777-7640
Detroit Lakes, MN (888) 594-1394
Mocksville, NC (800) 228-6119

©MS1280SO/12-2008