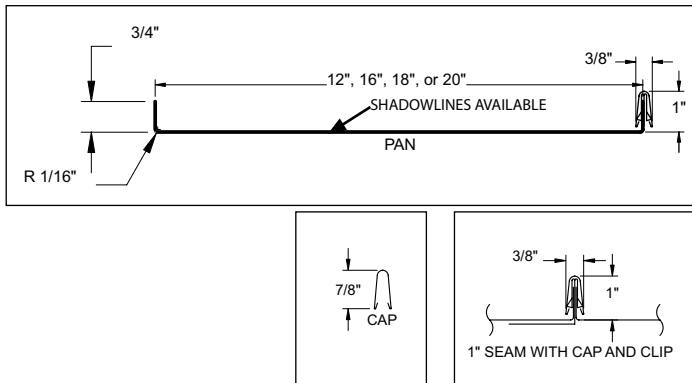


STANDING SEAM ROOF PANELS

SNAP-ON-SEAM

- Classic snap-on-seam two-component design
- 1" nominal seam height using a 1" seam cover
- Allows for easy removal of individual panels for repairs
- Concealed clip allows for unlimited thermal movement
- Panel can be curved to a minimum 5'-0" radius
- Must be installed over a solid substrate
- Panels can be tapered (without stiffening beads & shadowlines)
- Easy to install
- .032" and .040" aluminum and 24 gauge and 22 gauge steel are available
- Shadowlines & stiffening beads available



TECHNICAL DATA

Wind Uplift

ASTM E1592	24 ga allowable load of 59.39 @ 1'-3"
	24 ga allowable load of 42.42 @ 2'-6"

Minimum Roof Slope

3:12

Available Widths

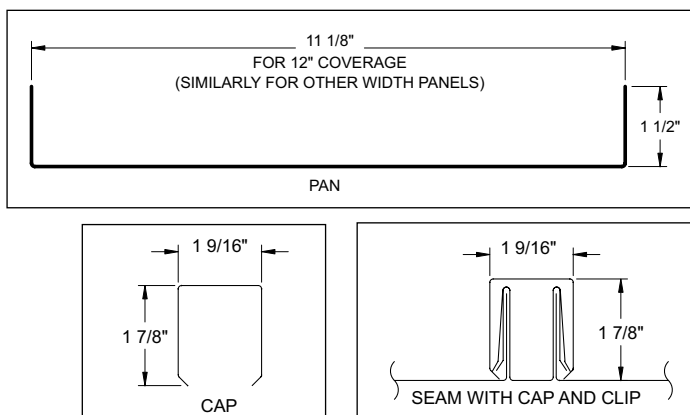
12", 16", 18" and 20"

Standard Lengths

Panels	6' to 47'
Battens	6' to 30'

SNAP-ON-BATTEN

- Classic snap-on wide batten design providing bold aesthetic design
- Ideal for mansards with a slope transition to vertical fascia
- Easy to install and perform knuckle joint detail
- Concealed clip allows for unlimited thermal movement
- Must be installed over a solid substrate
- Panels can be tapered with limitations due to batten width
- .032" and .040" aluminum and 24 gauge and 22 gauge steel are available



Minimum Roof Slope

3:12

Available Widths

12", 16", 18" and 20"

Standard Lengths

Panels	6' to 47'
Battens	6' to 30'