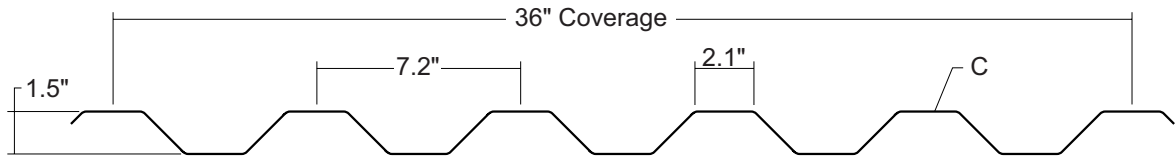


# IC72-PANEL ROOF

CONDENSED  
TECHNICAL  
REFERENCE

## ROOF PANEL



ARCHITECTURAL  
COMMERCIAL  
INDUSTRIAL  
PANEL

DIRECT  
FASTEN

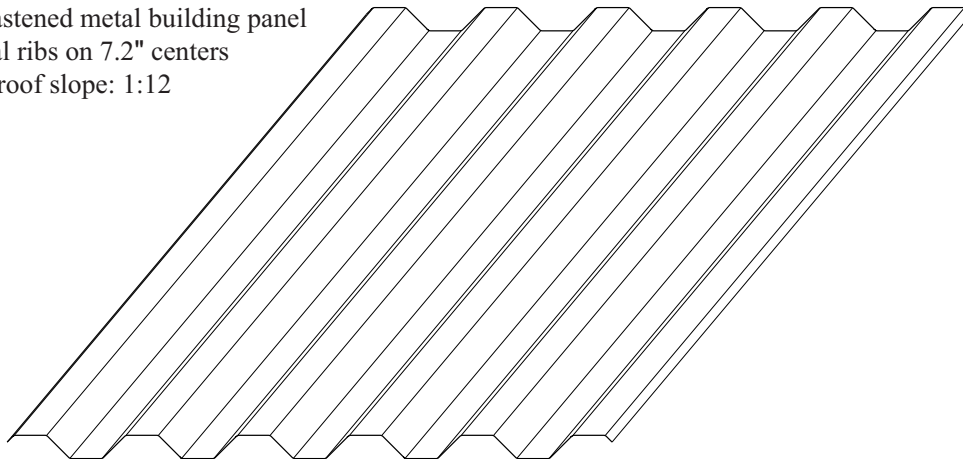
36"  
COVERAGE

MINIMUM  
SLOPE  
1:12

SOLID SUBSTRATE  
OR OPEN FRAMING

## PANEL OVERVIEW

- ▶ Finishes: Kynar 500 (PVDF) and Acrylic Coated Galvalume®
- ▶ Gauges: 24ga standard, 22ga, 20ga and 18ga optional
- ▶ Optional Material: Aluminium (0.032" to 0.050")
- ▶ 36" panel coverage, 1½" rib height
- ▶ Applies over open framing or solid substrate
- ▶ Exposed fastened metal building panel
- ▶ Trapezoidal ribs on 7.2" centers
- ▶ Minimum roof slope: 1:12



## TESTING

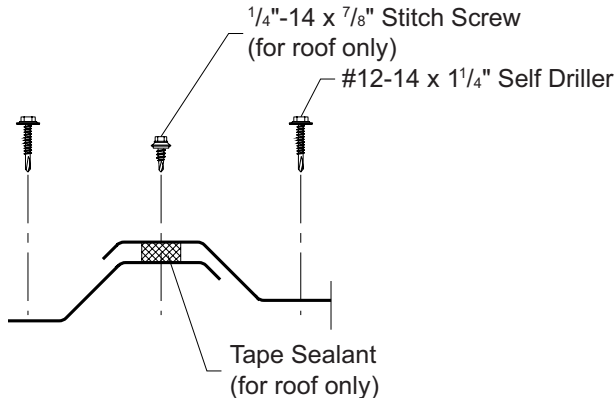
- ▶ UL 580 Class 90 Construction Number: 244, 137
- ▶ UL 790 Class A
- ▶ UL 2218 Class 4
- ▶ ASTM E 1592 Roof uplift load
- ▶ ASTM E 485 Diaphragm Testing
- ▶ ASTM E 1646 and 1680 Roof air and water leakage
- ▶ ASTM E 1592 Wind Uplift Testing

**ms** metal sales  
manufacturing corporation

# IC72-PANEL ROOF

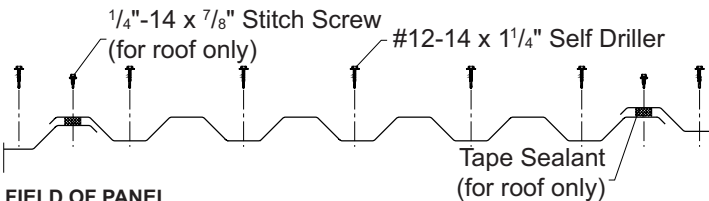
## CONDENSED TECHNICAL REFERENCE

### ATTACHMENT DETAIL

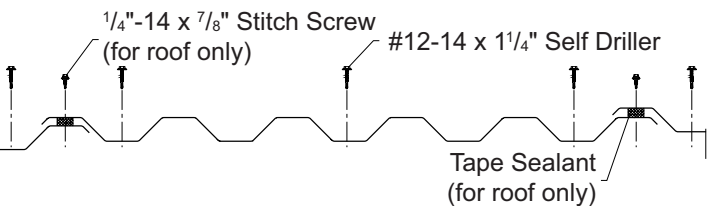


### FASTENING PATTERNS

#### ENDS OF PANEL



#### FIELD OF PANEL



### GENERAL INFORMATION

- ▶ **Slope**  
The minimum recommended slope for IC72-Panel is 1:12. Metal Sales recommends that in all roof applications sealants be used on all sidelaps with stitch screw 1'-0" on center.
- ▶ **Substructure**  
IC72-Panel is designed to be utilized over open structural framing or a solid substrate. To avoid panel distortion use a properly aligned and uniform substructure.
- ▶ **Coverage**  
IC72-Panel is available in a 1 1/2" rib height with a 36" width coverage.
- ▶ **Length**  
Minimum factory cut length is 5'-0". Maximum recommended panel length is 45'-0". Longer panels require additional consideration in packaging, shipping, and erection. Please consult Metal Sales for recommendations.
- ▶ **Fasteners**  
The fastener selection guide should be consulted for choosing the proper fastener for specific applications. Quantity and type of fastener must meet necessary loading and code requirements.  
*NOTE: All panels are subject to surface distortion due to improperly applied fasteners. Overdriven fasteners will cause stress and induce oil canning across the face of the panel at or near the point of attachment.*
- ▶ **Availability**  
*Finishes:* Acrylic Coated Galvalume® or various Kynar 500 (PVDF) colors.  
*Gauges:* 24ga standard, 22ga, 20ga, and 18ga optional

### SECTION PROPERTIES

Ga.	Width in	Yield ksi	Weight psf	Top In Compression		Bottom In Compression	
				lxx in <sup>4</sup> /ft	Sxx in <sup>3</sup> /ft	lxx in <sup>4</sup> /ft	Sxx in <sup>3</sup> /ft
26	36"	50	0.88	0.0707	0.0817	0.0653	0.0663
26	36"	80	0.88	0.0670	0.0752	0.0620	0.0614
24	36"	50	1.15	0.1000	0.1208	0.0987	0.1076
22	36"	50	1.51	0.1400	0.1757	0.1400	0.1557
20	36"	33	1.85	0.1900	0.2450	0.1900	0.2223
18	36"	33	2.45	0.2700	0.3300	0.2667	0.3230

### ALLOWABLE UNIFORM LOADS psf (3 or More Equal Spans)

Inward Load						Outward Load					
5'	6'	7'	8'	9'	10'	5'	6'	7'	8'	9'	10'
58	41	31	24	19	15	70	50	37	29	22	16
64	45	34	26	21	16	76	54	41	31	22	16
97	68	50	39	29	21	108	76	56	41	29	21
142	100	73	54	38	27	160	112	80	54	38	27
135	94	69	53	42	34	148	103	76	58	46	34
195	136	100	77	61	45	199	139	103	79	61	45

- Theoretical section properties have been calculated per AISI 2001 "Specification for the Design of Cold-formed Steel Structural Members." lxx and Sxx are effective section properties for deflection and bending.
- Allowable load is calculated in accordance with AISI 2001 specifications considering bending, shear, compined bending and shear, deflection. Allowable load considers the worst case of 3 and 4 equal span conditions. Allowable load does not address web crippling or fasteners/support connection and panel weight is not considered.
- Deflection consideration is limited by a maximum deflection ratio of L/180 of span.
- Allowable loads do not include a 1/3 stress increase in uplift.
- For 26 ga. Grade 80 is available from Woodland, Grade 50 is available from Sellersburg.

**metal sales**  
manufacturing corporation



Kent, WA 800.431.3470  
Temple, TX 800.543.4415  
Longmont, CO 800.289.7663  
Antioch, TN 800.251.8508  
Woodland, CA 800.759.6019  
Rogers, MN 800.3289316  
Spokane, WA 800.572.6565

Jefferson, OH 800.321.5833  
Rock Island, IL 800.747.1206  
Sellersburg, IN 800.999.7777  
Jacksonville, FL 800.394.4419  
Orwigsburg, PA 800.544.2577  
Independence, MO 800.747.0012  
Fontana, CA 800.782.7953

Anchorage, AK 866.640.7663  
Bay City, MI 888.777.7640  
Detroit Lakes, MN 888.594.1394  
Mocksville, NC 800.228.6119  
Fort Smith, AR 877.452.3915

[www.metalsales.us.com](http://www.metalsales.us.com)